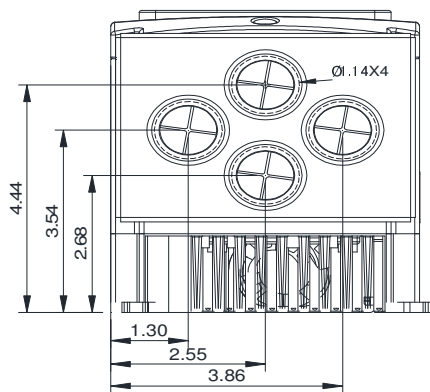
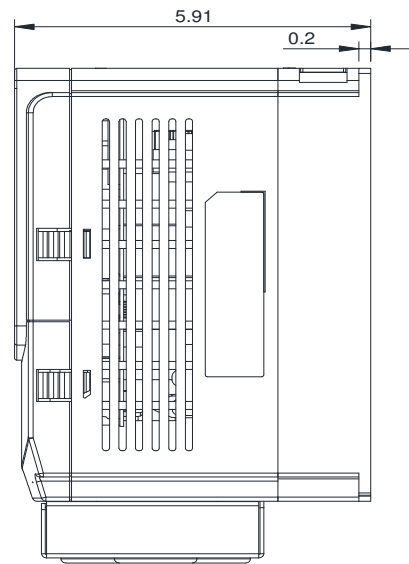
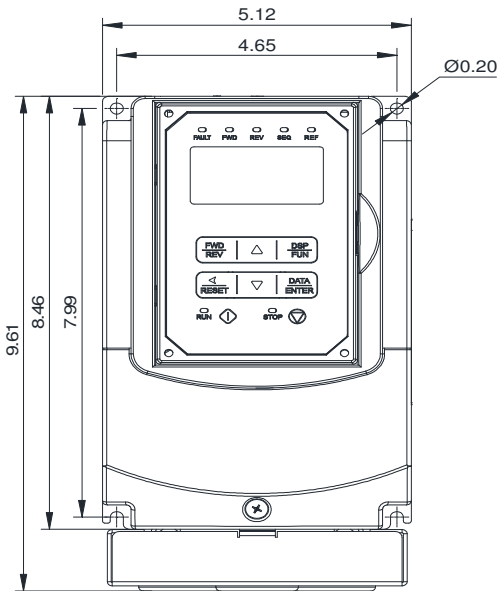


GENERAL DATASHEET VARIABLE SPEED DRIVE

Series A510				MODEL# A510-4001-C3-UE		
ISSUED 12/30/2019				ENCLOSURE/ FRAME NEMA 1 (IP20) / F1		
INPUT AMPS				AC INPUT VOLTAGE 380-480	AC INPUT FREQUENCY 50/60	AC INPUT PHASE 3
HD (CT) 3.7		ND (VT) 4.5				
OUTPUT HP		OUTPUT AMPS		AC OUTPUT VOLTAGE 0-480	AC OUTPUT FREQUENCY 0-599	AC OUTPUT PHASE 3
HD (CT) 1	ND (VT) 1	HD (CT) 3.4	ND (VT) 4.1			



Approved By:	Brian Smith	Drawing No:	A510-460-001-F1	Revision: 1
--------------	-------------	-------------	-----------------	-------------